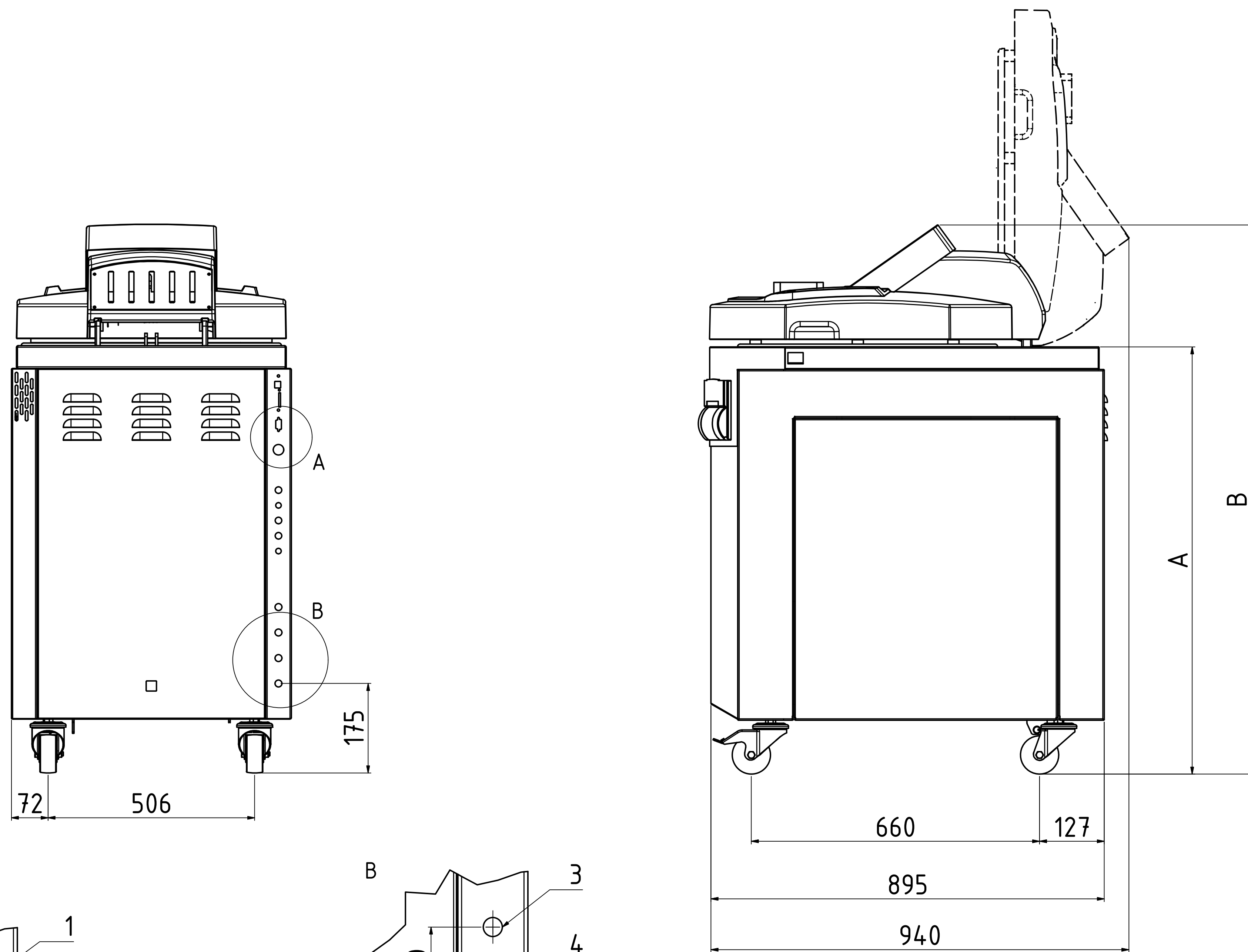
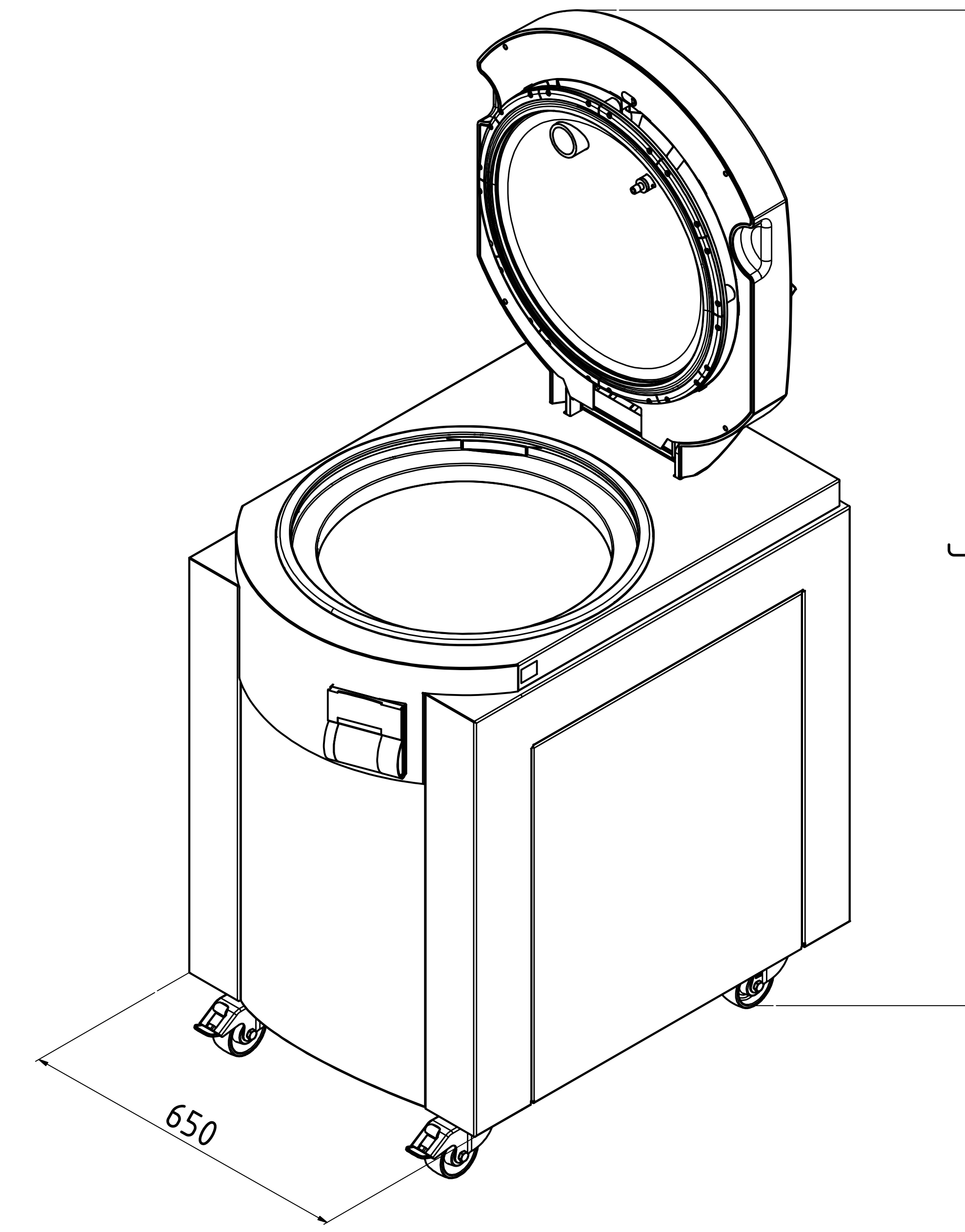
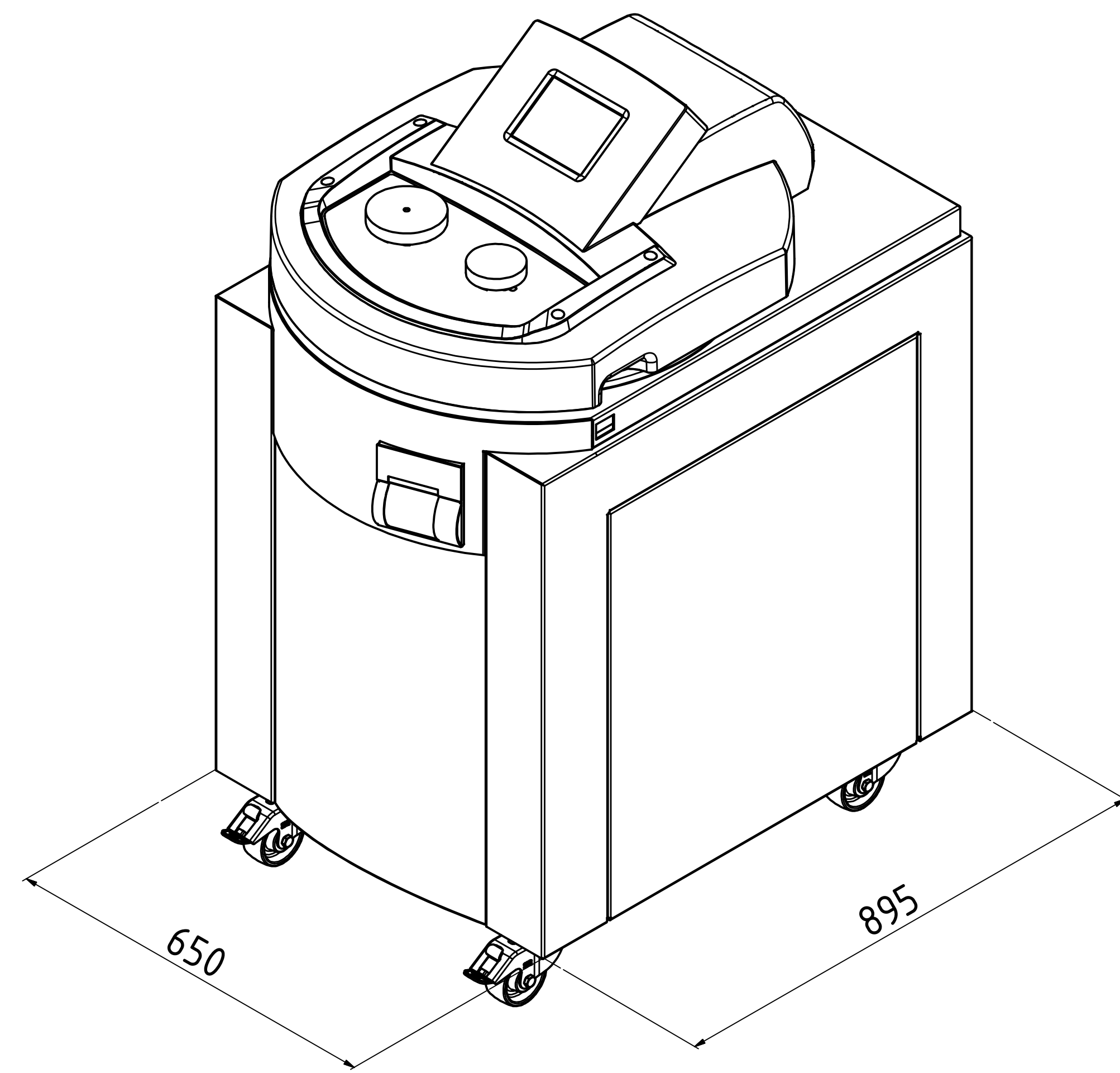


# Systemec Mediaprep-90 / Mediaprep-120



Technical data				
No.	Description	Size	Mediaprep	Comments
1	Interface		X	RS-232 (Ethernet Netzwerk and USB compatible)
2	Power supply*		X	3x400V+N+PE / 32Ampere / CEE socket
3	Demineralized water* <sup>3</sup>	Quick-release coupling	X	3/4 external thread on site, ≥ 1bar water pressure Σ alkaline earth ions < 0,02 mmol/l, conductivity 0,1 - 15 µS/cm
4	Tap water* <sup>3</sup>	Quick-release coupling	X	3/4 external thread on site, ≥ 1bar water pressure Σ alkaline earth ions ≤ 2,0 mmol/l, conductivity max. 300 µS/cm, 11°dH, 200mg/l CaCO <sub>3</sub>
5	Drain	Quick-release coupling	X	Temperature-resistant installation (103°C in case of failure) Temperature controlled at 70°C (setable)

	Art.No.	A	B	C	Heat emission	Net weight	Test weight* <sup>2</sup>
Systemec Mediaprep-90	1790	870	1110	1650	< 800 Watt/h	200 kg	326 kg
Systemec Mediaprep-120	1820	1000	1240	1780	< 800 Watt/h	220 kg	382 kg

X = Standard    0 = Optional    -- = Not Available    Length dimensions in mm

\* Other voltages available on request

\*<sup>2</sup> Test weight: Chamber completely filled with water for pressure test

\*<sup>3</sup> The included hose is required 3/4" external thread on site

<table border="1"> <tr> <td>General tolerance ISO 2768 T1-m</td> <td>Surface</td> <td>Scale</td> <td>Material</td> <td>Weight</td> </tr> <tr> <td>ISO 2768 T1-m</td> <td>ISO 2768 T1-m</td> <td>ISO 2768 T1-m</td> <td>ISO 2768 T1-m</td> <td>ISO 2768 T1-m</td> </tr> </table>	General tolerance ISO 2768 T1-m	Surface	Scale	Material	Weight	ISO 2768 T1-m	ISO 2768 T1-m	ISO 2768 T1-m	ISO 2768 T1-m	ISO 2768 T1-m	<table border="1"> <tr> <td>Scale</td> <td>Material</td> <td>Weight</td> </tr> <tr> <td>Scale</td> <td>Material</td> <td>Weight</td> </tr> </table>	Scale	Material	Weight	Scale	Material	Weight	<table border="1"> <tr> <td>Scale</td> <td>Material</td> <td>Weight</td> </tr> <tr> <td>Scale</td> <td>Material</td> <td>Weight</td> </tr> </table>	Scale	Material	Weight	Scale	Material	Weight	<table border="1"> <tr> <td>Scale</td> <td>Material</td> <td>Weight</td> </tr> <tr> <td>Scale</td> <td>Material</td> <td>Weight</td> </tr> </table>	Scale	Material	Weight	Scale	Material	Weight	<table border="1"> <tr> <td>Scale</td> <td>Material</td> <td>Weight</td> </tr> <tr> <td>Scale</td> <td>Material</td> <td>Weight</td> </tr> </table>	Scale	Material	Weight	Scale	Material	Weight
General tolerance ISO 2768 T1-m	Surface	Scale	Material	Weight																																		
ISO 2768 T1-m	ISO 2768 T1-m	ISO 2768 T1-m	ISO 2768 T1-m	ISO 2768 T1-m																																		
Scale	Material	Weight																																				
Scale	Material	Weight																																				
Scale	Material	Weight																																				
Scale	Material	Weight																																				
Scale	Material	Weight																																				
Scale	Material	Weight																																				
Scale	Material	Weight																																				
Scale	Material	Weight																																				
Systemec We are exclusive company				Zng.-Nr.: AZ 1790 EN Rev.: 0 A0																																		