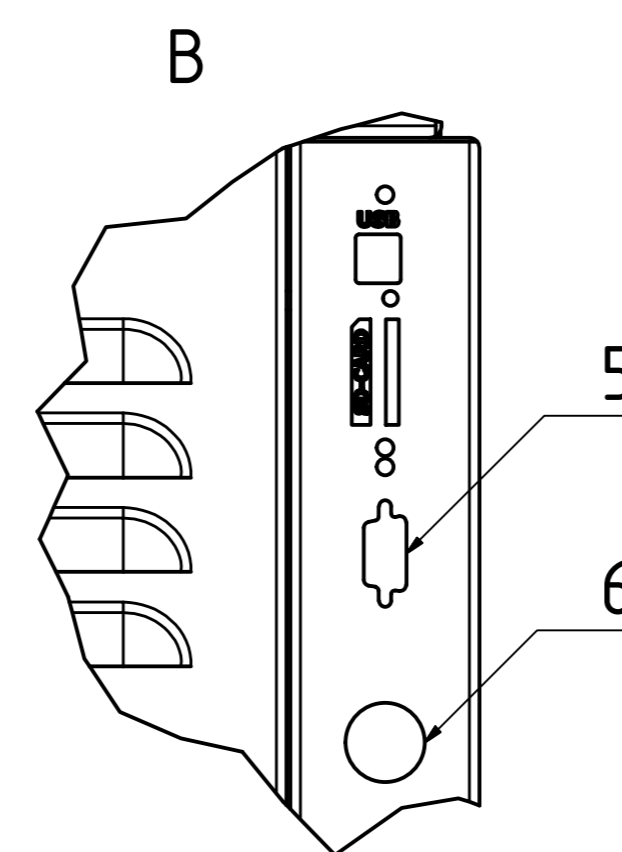
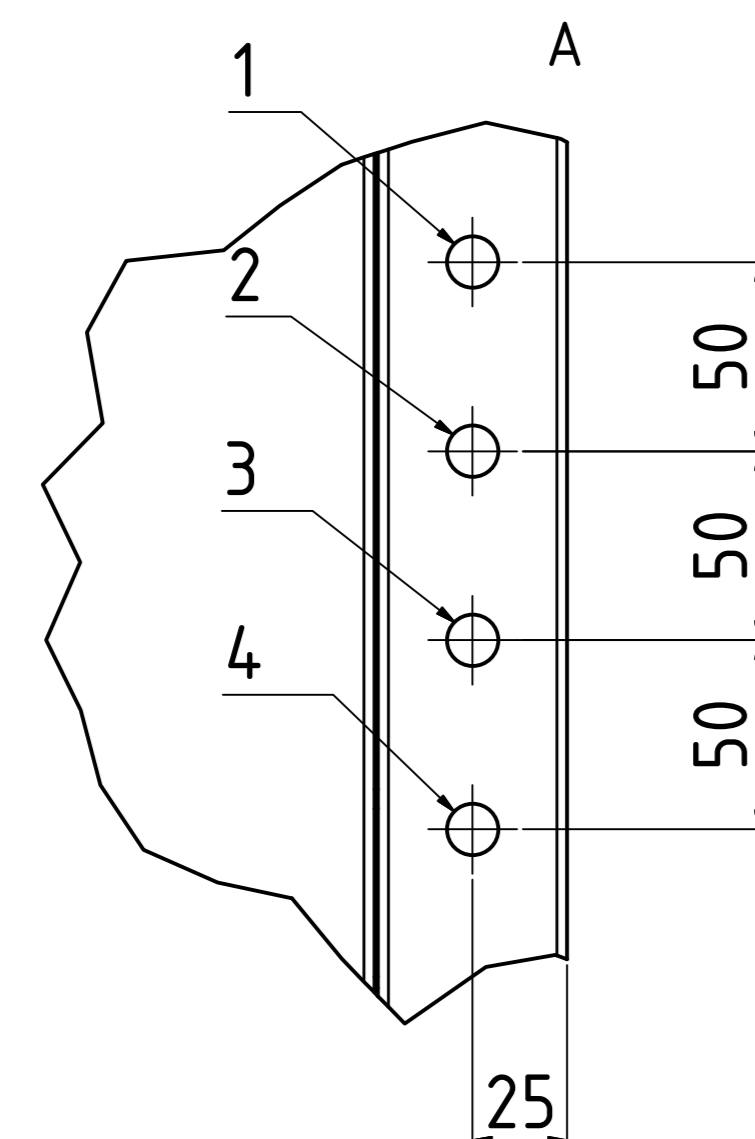
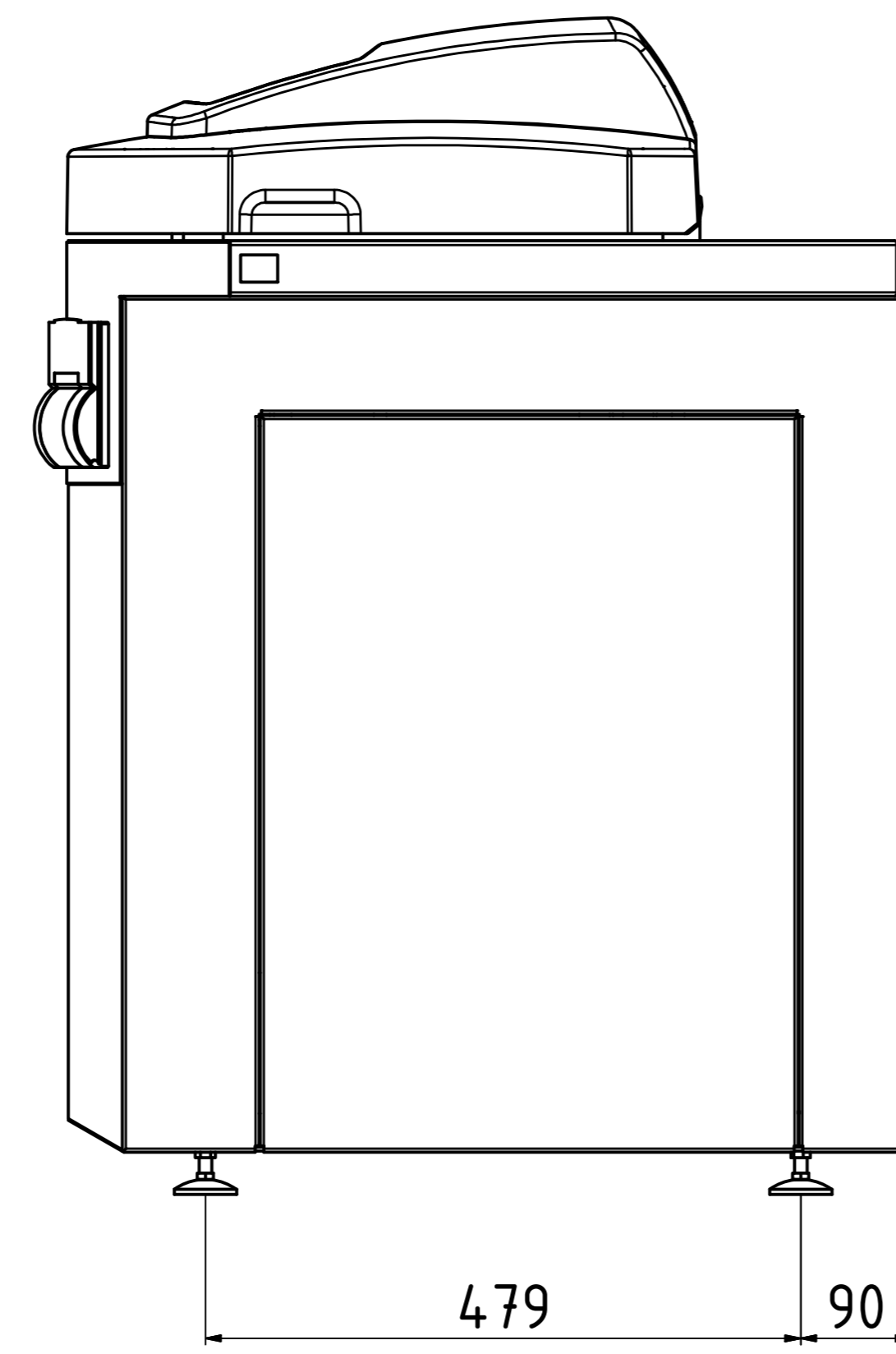
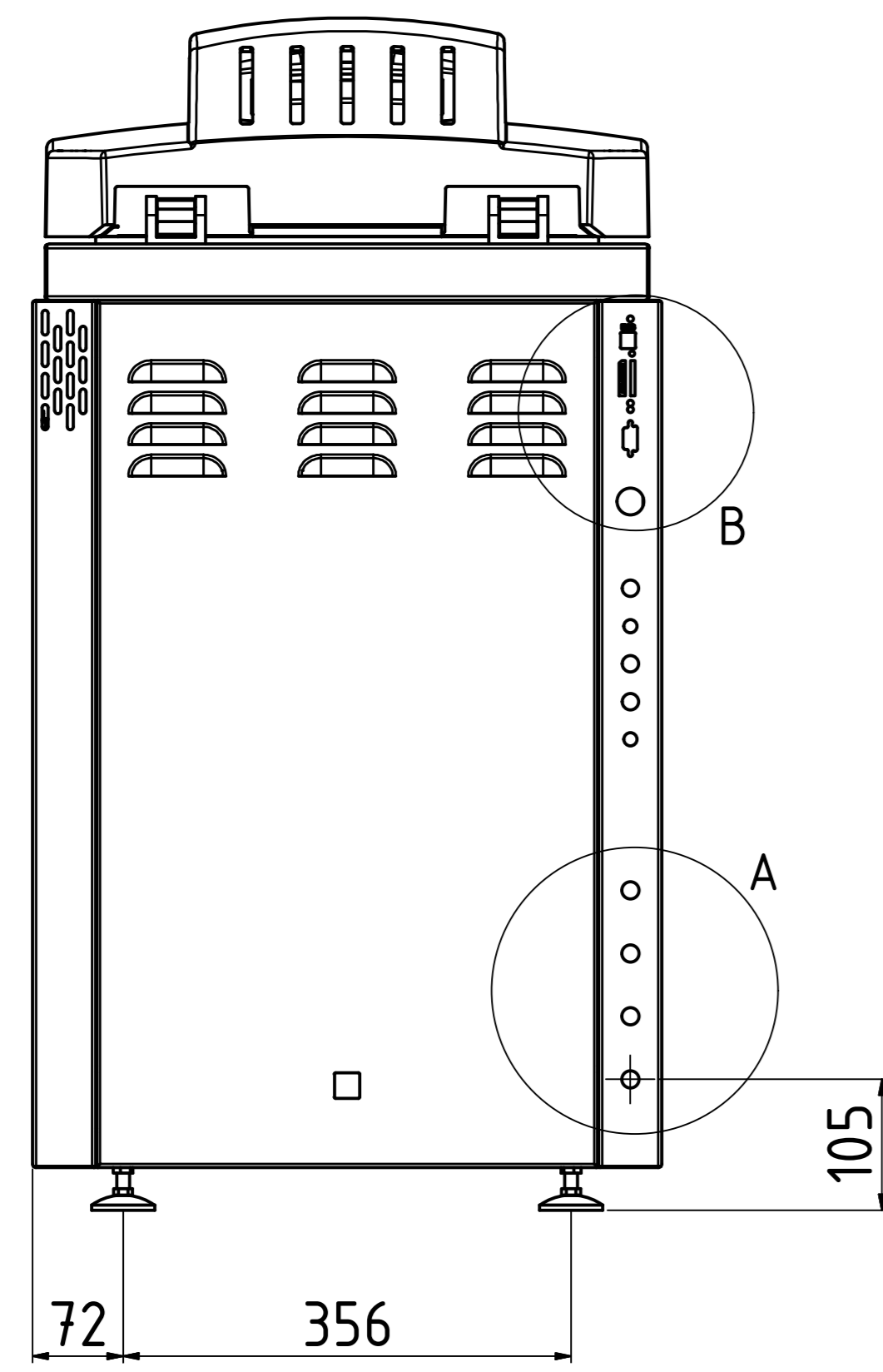
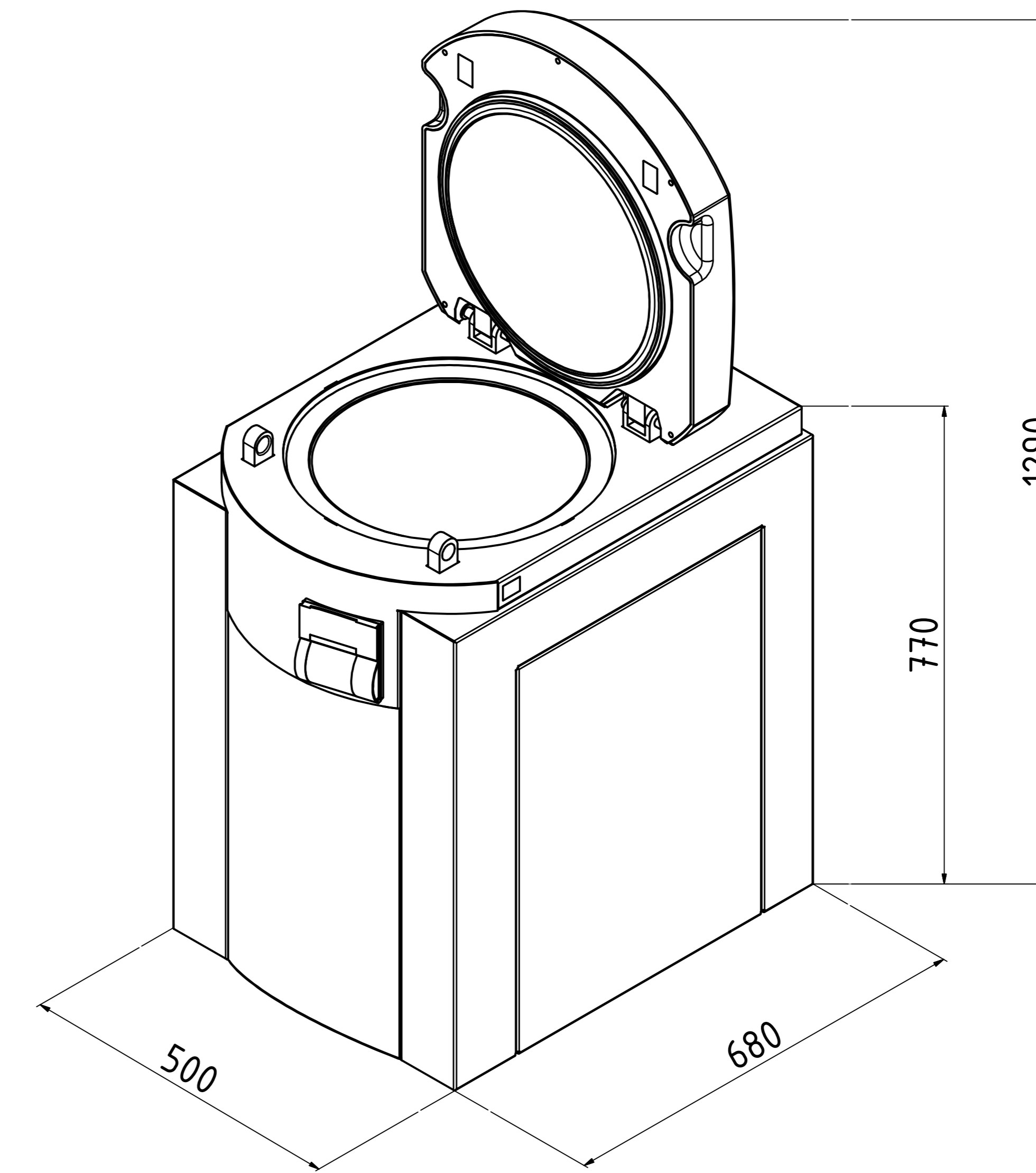
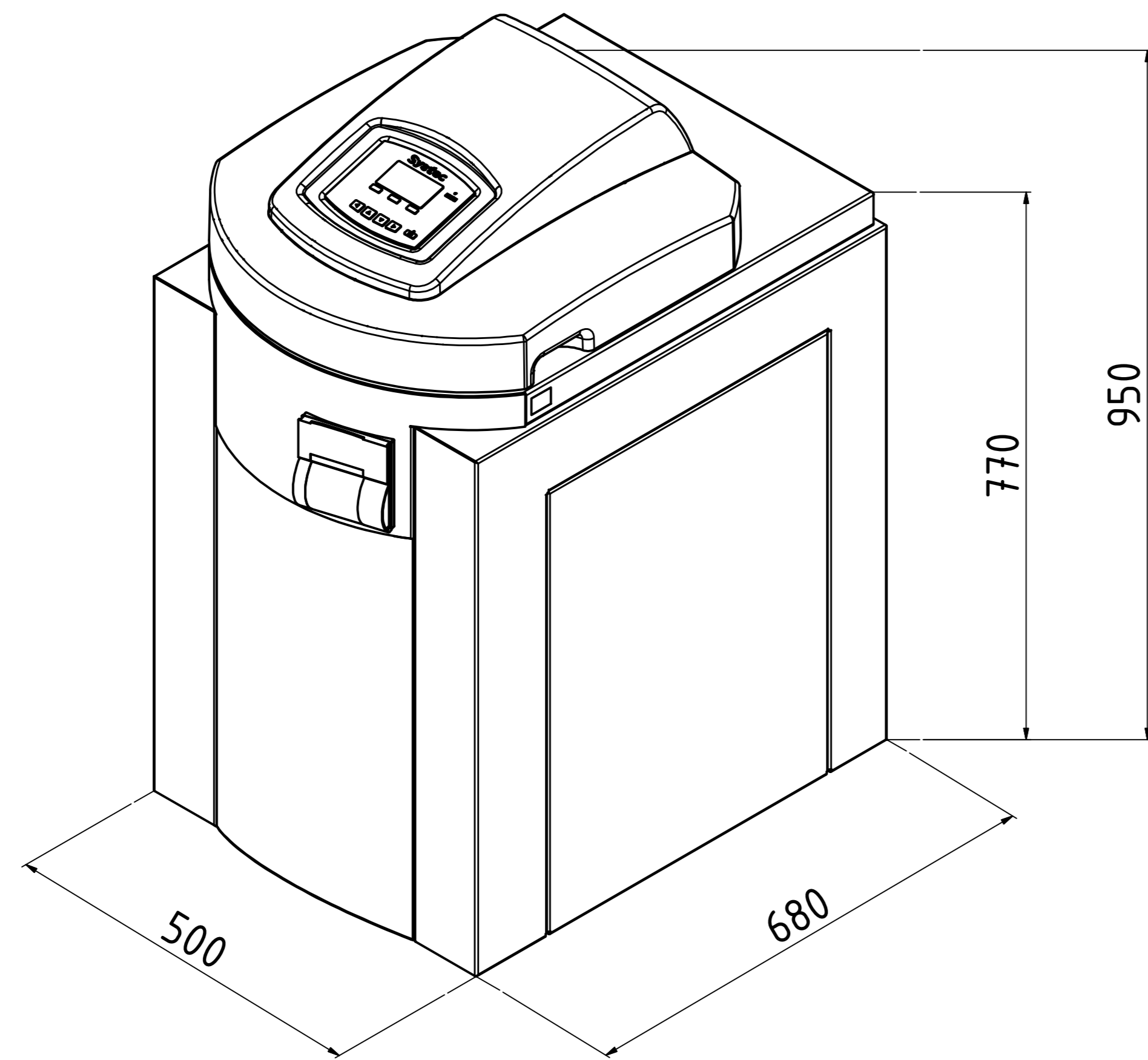


System V-40 / V-55



Technical data						
No.	Description	Size	DX	DE	DB	Comments
1	Compressed air	NW 7,2	0	0	--	min. 3-10bar / 50l/min., ≤ Class 4 according to DIN ISO 8573, Only with "water cooling with support pressure"
2	Demineralized water*	3/4" ET	X	X	--	≥ 1bar water pressure Σ alkaline earth ions < 0,02 mmol/l, conductivity: 0,1 - 15 µS/cm
3	Tap water*	3/4" ET	X	X	--	≥ 1bar water pressure Σ alkaline earth ions ≤ 2,0 mmol/l, conductivity max. 300 µS/cm, 11°dH, 200mg/l CaCO3
4	Drain	3/4" ET	X	X	X	System VX and System VE Temperature-resistant installation (103°C in case of failure) Temperature is controlled at 70°C (setable) System VB Temperature-resistant installation (103°C in case of failure) No controlled temperature, Drain height max. ≤ 40cm above the floor
5	Interface		X	X	--	RS-232 / RS-485 (Ethernet Network and USB compatible)
6	Power supply* ²		X	X	X	1x230V+N+PE / 50-50Hz / 16 Ampere / CEE 7/4 socket, Type F

	Art.No.: VX	Art.No.: VE	Art.No.: VB	Heat emission	Net weight	Test weight* ³
System V-40	1040	1240	1400	<400 Watt/h	110 kg	155 kg
System V-55	1055	1255	1410	<400 Watt/h	115 kg	175 kg

X = Standard 0 = Optional -- = Not Available Length dimensions in mm

* Other media connections available on request

*² Other voltages and single-phase available on request

*³ Test weight: chamber completely filled with water for pressure test

Allgemein- toleranz ISO 2768 T1-m		Oberfläche	Masstab:	Gewicht:
Datum		Werkstoff:	Bemerkung:	
13.05.2015		System V-0350		
Zng.-Nr.: AZ 1040 EN		Rev.: 1	1	
A0				