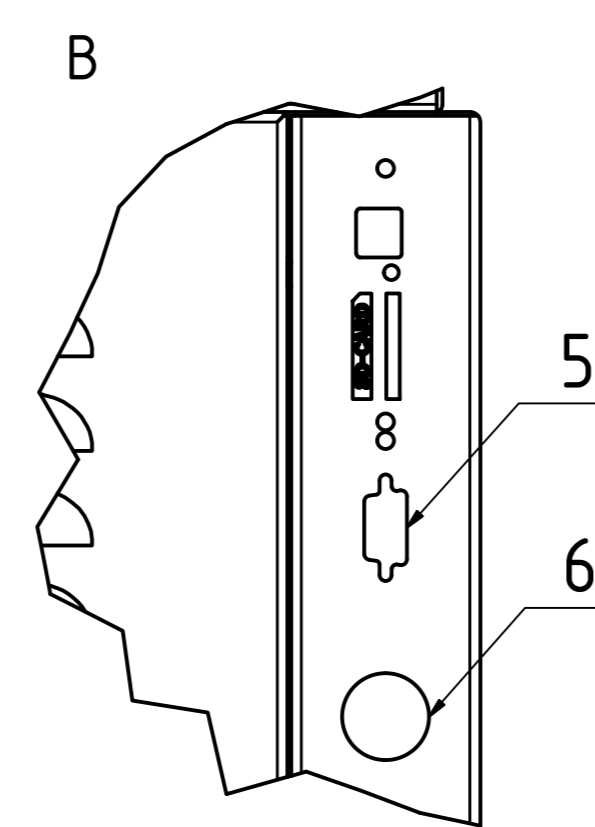
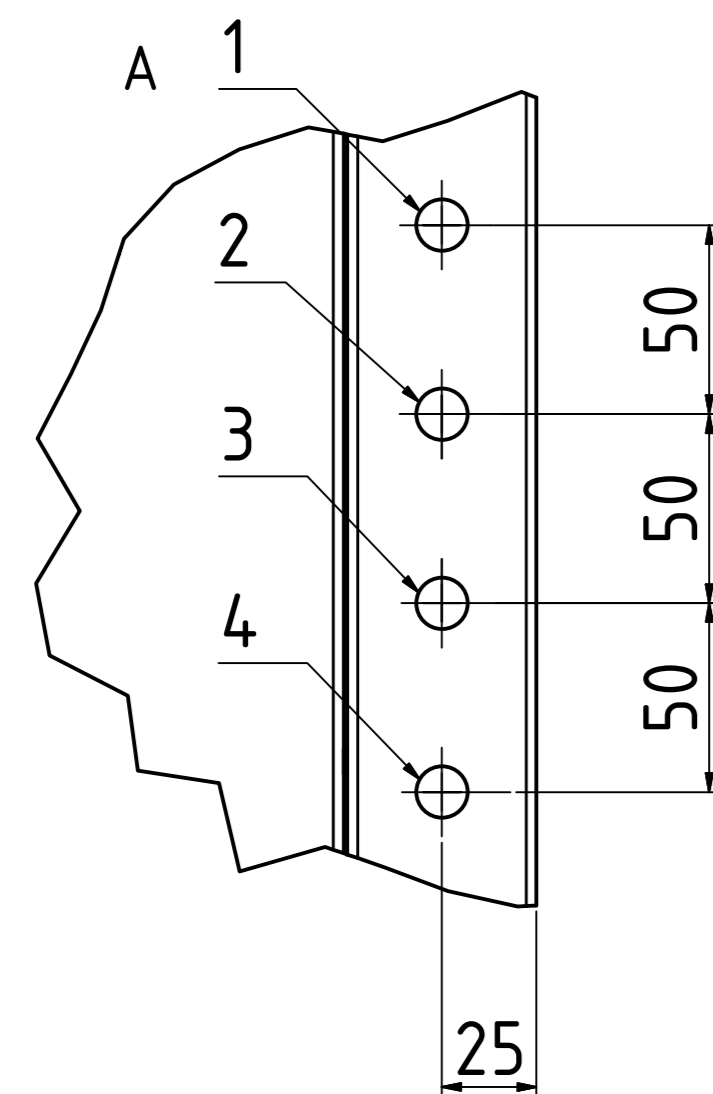
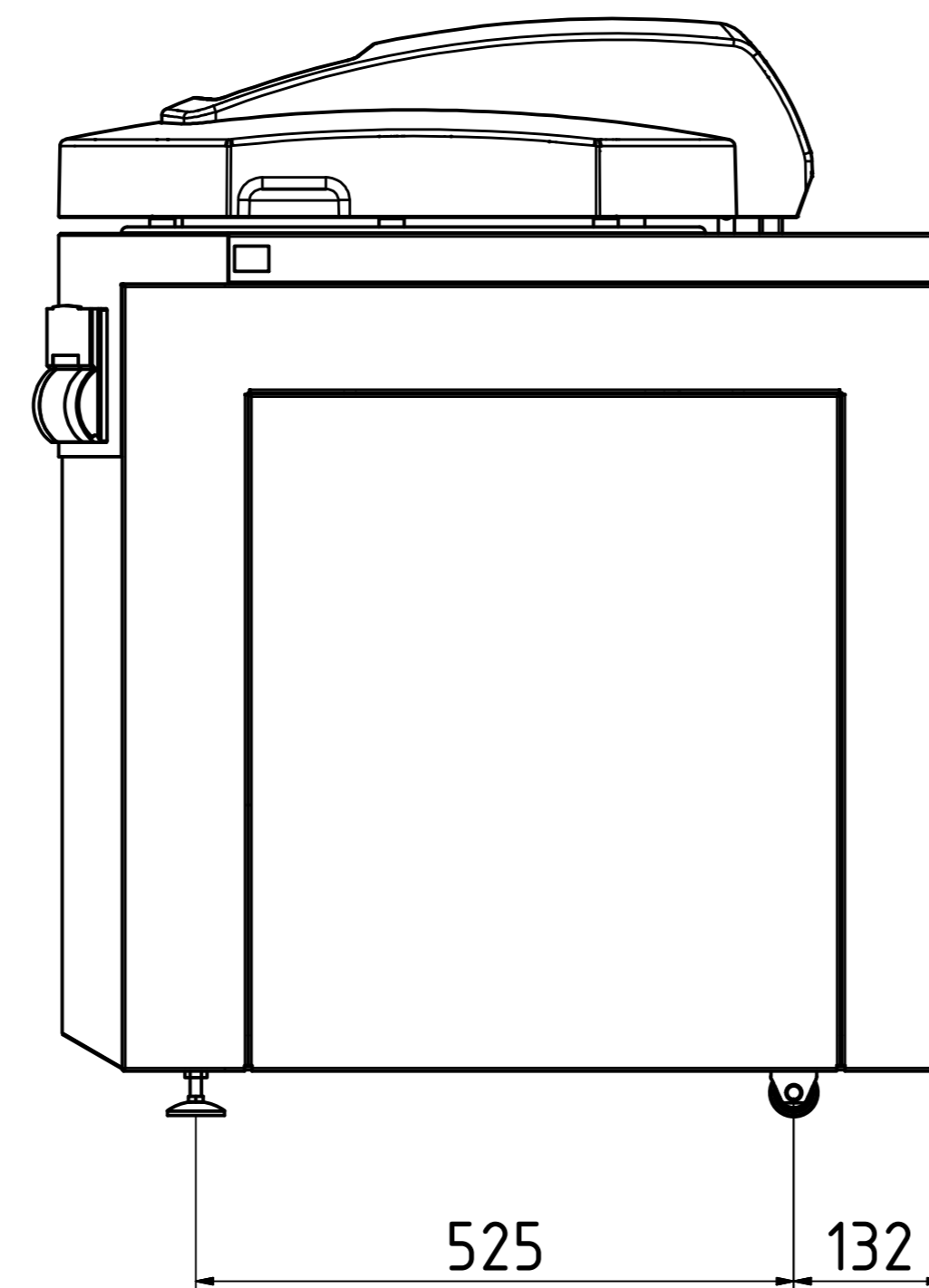
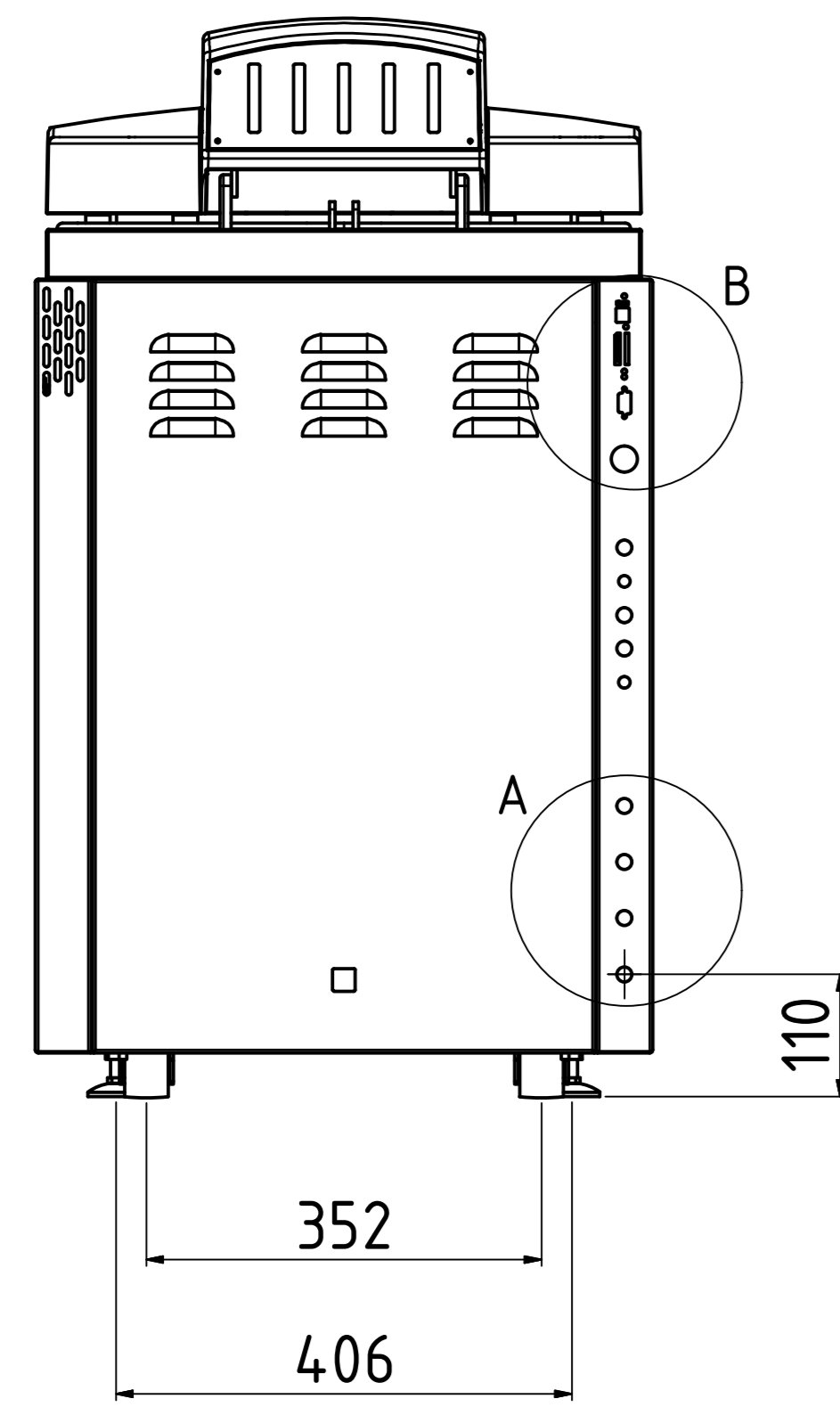
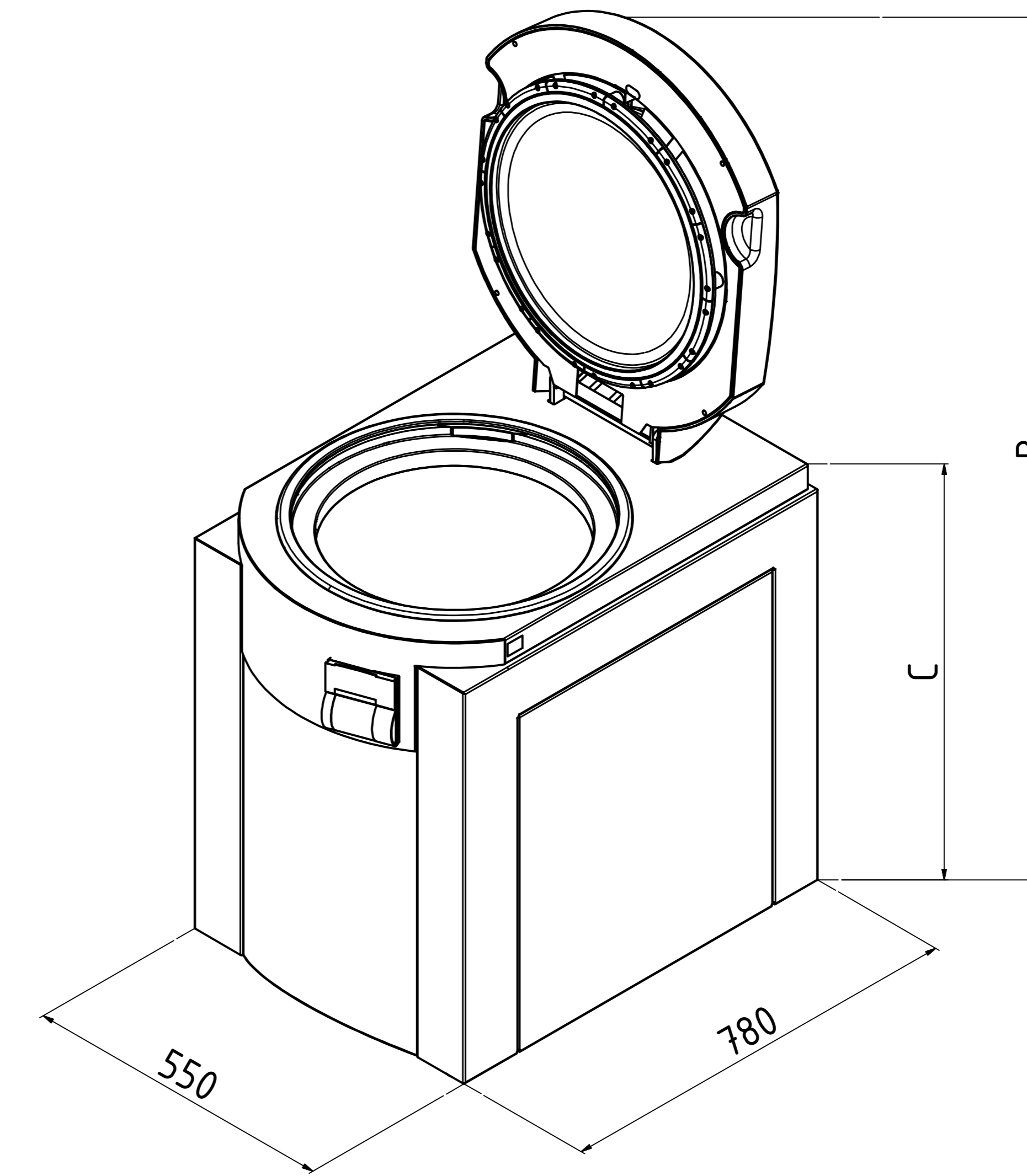
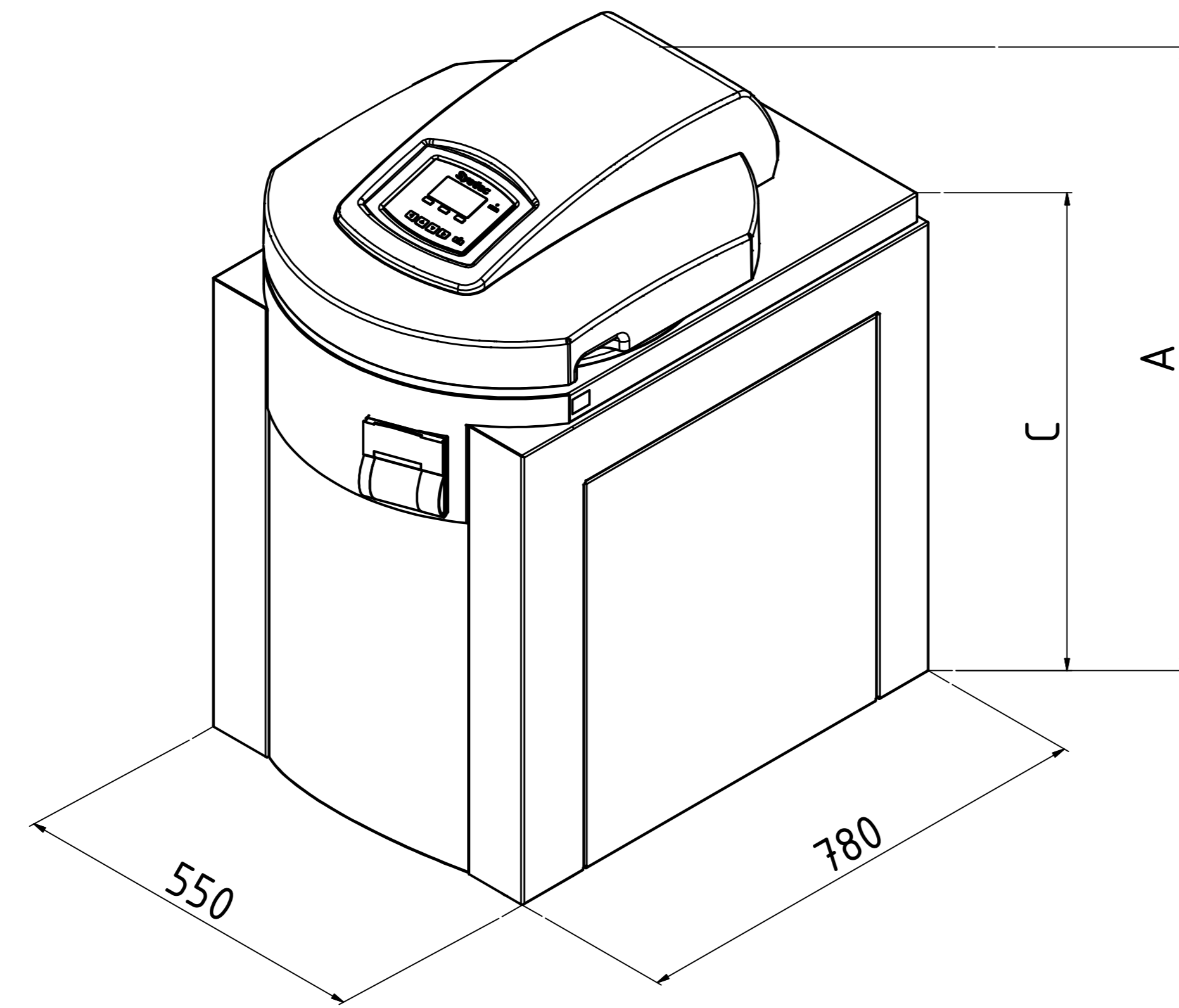


Systemec V-65 / V-75 / V-95



Technical data						
No.	Description	Size	DX	DE	DB	Comments
1	Compressed air	NW 7,2	0	0	--	min. 3-10bar / 50l/min., ≤ Class 4 according to DIN ISO 8573, Only with "water cooling with support pressure"
2	Demineralized water*	3/4" ET	X	X	--	≥ 1bar water pressure Σ alkaline earth ions < 0,02 mmol/l, conductivity: 0,1 - 15 µS/cm
3	Tap water*	3/4" ET	X	X	--	≥ 1bar water pressure Σ alkaline earth ions ≤ 2,0 mmol/l, conductivity max. 300 µS/cm, 11°dH, 200mg/l CaCO3
4	Drain	3/4" ET	X	X	X	Systemec VX and Systemec VE Temperature-resistant installation (103°C in case of failure) Temperature is controlled at 70°C (settable) Systemec VB Temperature-resistant installation up to 103°C No controlled temperature, Drain height max. ≤ 40cm above the floor
5	Interface		X	X	--	RS-232 / RS-485 (Ethernet Network and USB compatible)
6	Power supply* ²		X	X	X	1x400V+N+PE / 50-50Hz / 16 Ampere / CEE socket

	Art.No.: VX	Art.No.: VE	Art.No.: VB	A	B	C	Heat emission	Net weight	Test weight* ³
Systemec V-65	1065	1265	1420	995	1440	780	<600 Watt/h	125 kg	195 kg
Systemec V-75	1075	1275	1430	995	1440	780	<650 Watt/h	130 kg	210 kg
Systemec V-95	1095	1295	1440	1085	1570	910	<700 Watt/h	140 kg	240 kg

X = Standard 0 = Optional -- = Not Available Length dimensions in mm

* Other media connections available on request

*² Other voltages and single-phase available on request

*³ Test weight: chamber completely filled with water for pressure test

Allgemein- toleranz ISO 2768 T1-m		Oberfläche	Maßstab:	Gewicht:
Gezeichnet	Datum	Werkstoff:	Bemerkung:	
Gezeichnet	16.05.2016	Stärke	Systemec V-Ø400	
Gezeichnet		Stärke		
Systemec We are exclusive company			Zng.-Nr.: AZ 1065 EN	Rev.: 1
Datum	Änderungen	Datum	Rev.	1
				A0